

## Marine Generator Set

### Generator Features

- Engine is Environmental Protection Agency (EPA) Tier III compliant
- The unique Fast-Response™ X excitation system delivers excellent voltage response and short-circuit capability using a rare-earth permanent magnet-excited alternator
- The brushless, rotating-field alternator has broadrange reconnectability
- Remote control connector
- Class H insulation
- Reconnectable voltage
- One- or three-phase reconnectable alternator
- Voltage regulation of ±0.5%
- Frequency regulation of 0.5%
- Heat exchanger cooled configuration includes a wet exhaust bend
- Keel cooled configuration includes a dry exhaust bend

## Generator Weights and Dimensions

|                  | Generator Set |              |
|------------------|---------------|--------------|
|                  | HX/KC*        | RAD*         |
| Weight, kg (lb.) |               |              |
| Wet              | 1515 (3340)   | 1578 (3478)  |
| Dry              | 1479 (3260)   | 1529 (3372)  |
| Length, mm (in.) | 2068 (81.43)  | 2466 (97.10) |
| Width, mm (in.)  | 893 (35.16)   | 1129 (44.45) |
| Height, mm (in.) | 1003 (39.47)  | 1275 (50.20) |

\* HX/KC = Heat Exchanger/Keel Cooled Model

\* RAD = Radiator Model

See the drawings on the last page for detailed dimensions.

### Optional Agency Type Approvals

- Lloyd's Register
- Det Norske Veritas (DNV)
- Bureau Veritas (BV)
- American Bureau of Shipping (ABS)



## Generator Ratings (Prime)

| Model<br>Generator<br>(Alternator) | Heat Exchanger/Keel Cooled Models |    |    |      |              | Radiator Models |              |
|------------------------------------|-----------------------------------|----|----|------|--------------|-----------------|--------------|
|                                    | Voltage                           | Hz | Ph | Amps | Rated kW/kVA | Amps            | Rated kW/kVA |
| 125EOZCJ<br>(4R13X)                | 120/208                           | 60 | 3  | 434  | 125/156      | 434             | 125/156      |
|                                    | 120/240                           | 60 | 3  | 376  | 125/156      | 376             | 125/156      |
|                                    | 127/220                           | 60 | 3  | 410  | 125/156      | 410             | 125/156      |
|                                    | 139/240                           | 60 | 3  | 376  | 125/156      | 376             | 125/156      |
|                                    | 277/480                           | 60 | 3  | 188  | 125/156      | 188             | 125/156      |
| 100EFOZCJ<br>(4R13X)               | 110/190                           | 50 | 3  | 380  | 100/125      | 380             | 100/125      |
|                                    | 120/208                           | 50 | 3  | 347  | 100/125      | 347             | 100/125      |
|                                    | 110/220                           | 50 | 3  | 328  | 100/125      | 328             | 100/125      |
|                                    | 220/380                           | 50 | 3  | 190  | 100/125      | 190             | 100/125      |
|                                    | 230/400                           | 50 | 3  | 180  | 100/125      | 180             | 100/125      |
|                                    | 240/416                           | 50 | 3  | 173  | 100/125      | 173             | 100/125      |

RATINGS: Ratings per ISO 3046, ISO 8528-1, and Kohler ISO rating guideline 2.14. Obtain technical information bulletin (TIB-101) on ratings guidelines for complete ratings definitions. Availability is subject to change without notice. Kohler Co. reserves the right to change the design or specifications without notice and without any obligation or liability whatsoever. Contact your local Kohler generator set distributor for availability.

10% overload capacity one hour in twelve hours.

# Application Data

## Engine

| Engine Specifications          | 60 Hz                        | 50 Hz |
|--------------------------------|------------------------------|-------|
| Type                           | Inline, 4-cycle              |       |
| Number of cylinders            | 6                            |       |
| Firing order                   | 1-5-3-6-2-4                  |       |
| Aspiration                     | Turbocharged and aftercooled |       |
| Displacement, L (cu. in.)      | 6.8 (415)                    |       |
| Bore and stroke, mm (in.)      | 107 x 127 (4.21 x 5.00)      |       |
| Compression ratio              | 16.7:1                       |       |
| Combustion system              | Direct injection             |       |
| Rated rpm                      | 1800                         | 1500  |
| Maximum power at rated rpm, HP | 223                          | 187   |
| Cylinder block material        | Cast iron                    |       |
| Cylinder head material         | Cast iron                    |       |
| Piston rings                   | 2 compression/1 oil          |       |
| Crankshaft material            | Forged steel                 |       |
| Connecting rod material        | Forged steel                 |       |
| Governor type                  | Electric isochronous         |       |

## Engine Electrical

| Engine Electrical System                | 60 Hz   | 50 Hz |
|---|---|-------|
| Battery, voltage                        | 12- or 24-volt spec isolated ground, standard |       |
| Battery, charging (12 volt)             | 75 amp  |       |
| Battery, charging (24 volt)             | 50 amp  |       |
| Battery, recommendation (min., 12 volt) | 925 CCA                                       |       |
| Starter motor                           | Gear-reduction type                           |       |

## Cooling

| Cooling System   | 60 Hz                      | 50 Hz        |
|--|----------------------------|--------------|
| Capacity, L (U.S. qt.) (approx.), <b>HX/KC*</b><br><b>RAD*</b> | 19.0 (20.0)                | 50.3 (53.16) |
| Cooling type, <b>HX*</b><br><b>RAD*</b>                        | Heat exchanger<br>Radiator |              |
| Seawater pump type, <b>HX/KC*</b>                              | John Deere gear driven     |              |
| Seawater pump suction lift, maximum, m (ft.), <b>HX/KC*</b>    | 3.0 (10.0)                 |              |
| Heat rejected to jacket water at rated kW, kW (Btu/min.)       | 195 (11088)                | 149 (8498)   |
| Engine water pump flow, Lpm (gpm)                              | 194 (51.2)                 | 160.5 (42.4) |
| Seawater pump flow, Lpm (gpm), <b>HX/KC*</b>                   | 173 (45.7)                 | 125 (33)     |

## Fuel

| Fuel System                            | 60 Hz  | 50 Hz |
|--|--|-------|
| Fuel recommendation                    | Diesel fuel specified to EN 590 or ASTM D975 |       |
| Fuel shutoff solenoid                  | Electric                                     |       |
| Fuel injection pump                    | High Pressure Common Rail (HPCR)             |       |
| Fuel pump priming                      | Self Priming                                 |       |
| Maximum recommended fuel lift, m (ft.) | 2.4 (7.9)                                    |       |

\* **HX** = Heat Exchanger, **KC** = Keel Cooled, **RAD** = Radiator Model

## Lubrication

| Lubricating System                         | 60 Hz       | 50 Hz |
|--|-------------|-------|
| Oil pan capacity with filter, L (U.S. qt.) | 19.0 (20.0) |       |
| Type                                       | Pressure    |       |

## Operation Requirements

| Air Requirements   | 60 Hz       | 50 Hz       |
|--|-------------|-------------|
| Engine combustion air requirements, m <sup>3</sup> /min. (cfm)                             | 15.0 (529)  | 10.0 (353)  |
| Max. air intake restriction, kPa (in. H <sub>2</sub> O)                                    | 6.25 (25)   | 6.25 (25)   |
| Cooling air required for generator set at 50°C (122°F) ambient, m <sup>3</sup> /min. (cfm) |             |             |
| <b>HX/KC*</b>  | 24.35 (860) | 21.10 (745) |
| <b>RAD*</b>  | 736 (26000) | 614 (21700) |
| Exhaust flow, m <sup>3</sup> /min. (cfm)   | 32 (1123)   | 23 (828)    |
| Exhaust temp., °C (°F)   | 373 (703.4) | 454 (849.2) |
| Max. allowed exhaust backpressure, kPa (in. H <sub>2</sub> O)                              | 7.5 (30)    | 7.5 (30)    |

| Fuel Consumption                   | 60 Hz       | 50 Hz      |
|------------------------------------|-------------|------------|
| <b>Diesel, Lph (gph) at % load</b> |             |            |
| 100%                               | 46.1 (12.2) | 36.1 (9.5) |
| 75%                                | 36.3 (9.6)  | 27.3 (7.2) |
| 50%                                | 24.7 (6.5)  | 19.1 (5.0) |
| 25%                                | 14.3 (3.8)  | 10.6 (2.8) |

## Engine Features

- One-side serviceability of fuel system, lubrication system, and air cleaner
- Low oil pressure cutout
- High water temperature cutout
- Loss of coolant cutout
- Overcrank cutout
- Belt guard
- Optional digital gauge
- Disposable oil filter
- Extended oil drain
- PTO options: 12- or 24-volt electric clutch

## Controller Features

- A graphical display and pushbutton/rotary selector dial provide easy, local data access.
- Measurements are selectable in metric or English units.
- The controller supports Modbus® protocol with serial bus (RS-485) or Ethernet networks.
- Scrolling display shows critical data at a glance.
- Graphical display of power metering (kW, kVA, V, I, PF, and VAR).
- Integrated hybrid voltage regulator providing ±0.5% regulation.
- Built-in alternator thermal overload protection.

Modbus® is a registered trademark of Schneider Electric.

# Decision-Maker® 3500 Paralleling Controller



Provides advanced control, system monitoring, and system diagnostics for optimum performance and compatibility. The Decision-Maker® 3500 controller uses a patented hybrid voltage regulator and unique software logic to manage alternator thermal overload protection features normally requiring additional hardware. Additional features include:

- **AC Output Voltage Regulator Adjustment.** The voltage adjustment provides a maximum adjustment of  $\pm 10\%$  of the system voltage.
- **Alarm Silence.** The controller can be set up to silence the alarm horn only when in the AUTO mode for NFPA-110 application or Always for user convenience.
- **Alternator Protection.** The controller provides generator set overload and short circuit protection matched to each alternator for the particular voltage/phase configuration.
- **Automatic Restart.** The controller automatic restart feature initiates the start routine and re crank after a failed start attempt.
- **Cyclic Cranking.** The controller has programmable cyclic cranking.
- **ECM Diagnostics.** The controller displays engine ECM fault code descriptions to help in engine troubleshooting.
- **Engine Start Aid.** The configurable starting aid feature provides customized control for an optional engine starting aid.
- **Event Logging.** The controller keeps a record (up to 1000 entries) for warning and shutdown faults. This fault information becomes a stored record of system events and can be reset.
- **Historical Data Logging.** Total number of successful starts of the generator is recorded and displayed.
- **Integrated Hybrid Voltage Regulator.** The voltage regulator provides  $\pm 0.5\%$  no-load to full-load RMS voltage regulation with three-phase sensing.
- **Lamp Test.** Press the alarm silence/lamp test button to verify functionality of the indicator lights.
- **LCD Display.** Adjustable contrast for improving visibility.
- **Measurement Units.** The controller provides selection of English or metric displays.
- **Power Metering.** Controller graphical display provides voltage, current, power factor, kW, kVA, and kVAR.
- **Programming Access (USB).** Provides software upgrades and diagnostics with PC software tools.
- **Remote Reset.** The remote reset function supports acknowledging and resetting faults and allows restarting of the generator set without going to the master control switch off/reset position.
- **Run Time Hourmeter.** The generator set run time is displayed.
- **Time Delay Engine Cooldown (TDEC).** The TDEC provides a time delay before the generator set shuts down.
- **Time Delay Engine Start (TDES).** The TDES provides a time delay before the generator set starts.
- **Voltage Selection Menu.** This menu provides the capability to switch the generator output voltage. NOTE: Generator set output leads may require reconnection.
- **Paralleling Functions:**
  - Bus sensing
  - First on logic
  - Synchronizing
  - Communication based isochronous load sharing
  - Droop load sharing
  - External controlled load sharing via analog bias signals

# Alternator Specifications

## Alternator Specifications

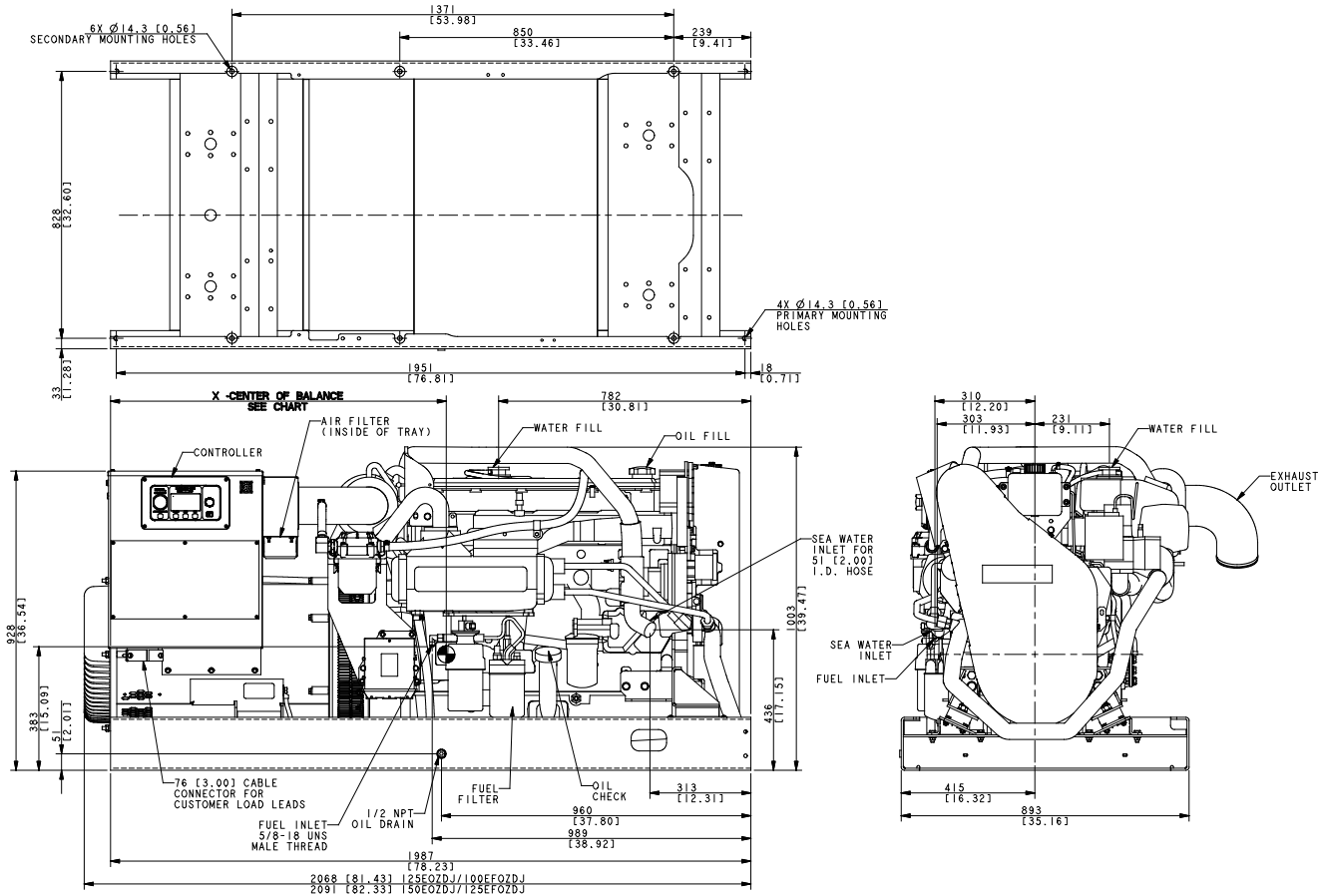
| Specifications                           | Alternator                             |
|--|--|
| Manufacturer                             | Kohler                                 |
| Type                                     | 4-pole, rotating-field                 |
| Exciter type                             | Brushless, rare-earth permanent-magnet |
| Number of leads                          | 12, reconnectable                      |
| Voltage regulator                        | Solid state, volts/Hz                  |
| Insulation: NEMA MG1                     |  |
| Material                                 | Class H                                |
| Temperature rise                         | 115°C                                  |
| Bearing: number, type                    | 1, sealed                              |
| Coupling                                 | Flexible disc                          |
| Amortisseur windings                     | Full                                   |
| Voltage regulation, no load to full load | $\pm 0.5\%$                            |
| One-step load acceptance per NFPA 110    | 100% of rating                         |
| Peak motor starting kVA:                 | (35% dip for voltages below)           |
| 480 V, 380 V                             | 4R13X (12 lead)                        |
|  | 540 (60 Hz), 425 (50 Hz)               |

## Alternator Features

- NEMA MG1, IEEE, and ANSI standards compliance for temperature rise and motor starting.
- Capable of sustained line-to-neutral short circuit current of up to 300% of the rated current for up to 2 seconds. (IEC 60092-301 short-circuit performance.)
- Sustained short-circuit current enabling downstream circuit breakers to trip without collapsing the alternator field.
- Self-ventilated and drip-proof construction.
- Vacuum-impregnated windings with epoxy varnish for dependability and long life.
- Superior voltage waveform from a two-thirds pitch stator and skewed rotor.

## Optional Accessories

- Circuit breakers
- Remote digital display
- Remote monitoring, start/stop panel with wiring harness for connection to the generator controller
- Duplex fuel filter
- Siphon break
- Remote connection/extension harness
- Oil level indicator (high/low)
- Low coolant level indicator



ADV-8508-

**DISTRIBUTED BY:**

NOTE: Dimensions in [ ] are inch equivalents.  
 NOTE: This drawing is provided for reference only and is not intended for installation planning. Contact your local distributor for more detailed information.